



SSG

Secondary Glazing System

Technical Datasheet



Scope

The Senior range of aluminium secondary glazing is designed for secondary-glazing to existing primary windows. Easily fitted and operated, the system allows for cleaning and maintaining both the existing primary and applied secondary window.

Materials

- Extruded aluminium is generally Aluminium Alloy 6060.T6/T66, 6063.T6/T66, 6082.T6 to BS EN 755-9 and EN 12020-2.
- The Gasketry is generally manufactured in accordance with BS ISO 3302-1.
- The fixings are generally A2 Stainless Steel screws.

Finishes

SSG curtain wall sections are available typically in three finishes.

- Polyester Powder Coating to BS EN 12206-1 Part 1 painted in house. Surface finished to a minimum of 40 microns standard, or enhanced to suit project requirements, in accordance with ISO 9001, ISO 14001 and ISO 45001.
- Anodised finishes are to BS3897 to a minimum of 25 microns (AA25), supplied in either satin or polished finish in a limited range of colours.
- Mill Finish.

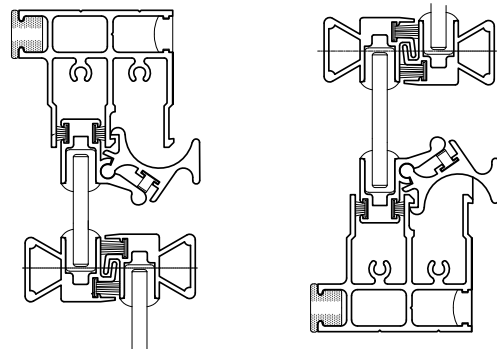
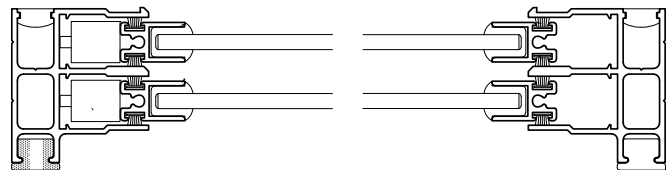
Construction

Frame corners are mitred and screw jointed with stainless steel self-tapping screws.

Environmental

Senior Architectural Systems is fully compliant with BS EN ISO 9001, BS EN ISO 14001, ISO 45001 and BES6001 standards. When used on projects involved in a BREEAM assessment, or within the Code for a Sustainable Built Environment, (which therefore involves the Green Guide specification) can offer significant benefits. For project specific assistance, please contact our specification team.

Typical Sizes	Width (mm)	Height (mm)
Horizontal Sliding		
76282 Meeting Style	1200	1300
76281 Meeting Style	1200	2000
Hinged Lights		
Side Hung	700	1800
Top Hung	1500	600
Double Sided	1400	1800
Fixed Lights		
Fixed Light (light duty)		1.8m ²
Fixed HD		2.2m ²
Lift - Out		
4mm Glass		1.5m ²
6mm Glass		1.03m ²
Vertical Sliding		
4mm Glass		1.3m ²
6mm Glass		0.88m ²
Glazing		
Thickness	4mm - 6mm	



Senior Architectural Systems Ltd, Eland Road, Denaby Main, Doncaster, South Yorkshire, DN12 4HA.
Tel: 01709 772 600 E-mail: info@sasmail.co.uk www.seniorarchitectural.co.uk

Due to a policy of continual product development, Senior Architectural Systems reserves the right to alter any of the specifications given in this publication without prior notice. The specification for any given application must be checked with Senior Architectural Systems prior to manufacture. No responsibility for accuracy is accepted by Senior Architectural Systems. Always refer to the Technical Manual.

